

OS mounts were developed to support mirrors such as off-axis paraboloids, spheres and flats in applications where stability is important. Four sizes are manufactured for mirror diameters from 100mm to 254mm whilst intermediate sizes can be accommodated with custom made step down/aperture rings. Component thicknesses were selected to adhere to traditional 6:1 diameter:thickness ratios. Differential micrometers give coarse and fine control over tilt in two orthogonal directions of  $\pm 2.7$  degrees for the larger sizes and up to  $\pm 6$  degrees for the smallest. Sensitivity is better than 3 arc seconds.

The mount base plate (which is detachable if required) can secure down through slotted holes to any standard metric optical table. Special base plates can be provided for rotary movement or further height adjustment.

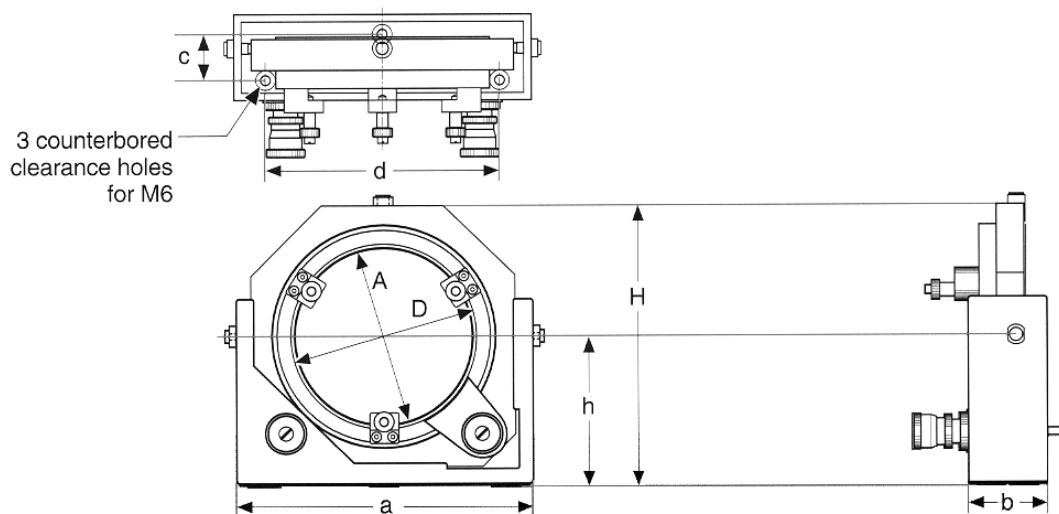
Mirrors are retained in the inner cell by means of three clamp screws, or silicone may be used if desired. The mounts, constructed of cast aluminium and finished in tough black, are provided with a mirror cover.

For off-axis paraboloids we can fit a small alignment flat set perpendicularly to the optical axis in our laboratory. This defines the axis to aid the user in setting up.



*To ensure stress free mounting, we recommend that customers purchase mirrors and mounts together from us. We will then take responsibility for fitting the mirror and supplying test results in after coating and mounting.*

*For mirrors of 300mm to 600mm please see our continuation data sheet.*



**Specifications**

Specifications						Dimensions					
CAT.No	CA	Max Dia	Max t	Max tilt	S	a	H	b	h	c	d
OS-100	90	101.6	28	±6	2.7	180	190	60	100	31	150
OS-150	145	152.4	38	±4	2.1	240	246	65	130	34	190
OS-200	185	203.2	44	±3.5	1.6	295	304	85	160	50	250
OS-250	240	254.0	54	±2.7	1.3	348	360	90	190	50	300

S = sensitivity in arc seconds

**Base Plates**

The OS mounts on this data sheet come with a separate baseplate. This provides hole spacings suitable for standard metric optical tables. The default condition is that any mount you order will already have the baseplate attached in our factory. The height given (H & h, in the table above) includes allowance for the baseplate thickness. If you do **not** require the baseplate, please mention this on the order. The hole spacings without base plate are shown in the drawing above.

**Specifications**

Specifications		Dimensions			
Cat No.	Mount	a	b	c	d
OSBP100	OS100	180	90	75	100
OSBP150	OS150	240	120	100	150
OSBP200	OS250	295	120	100	200
OSBP250	OS250	348	140	125	250

Imperial sized baseplates can be provided on request.

